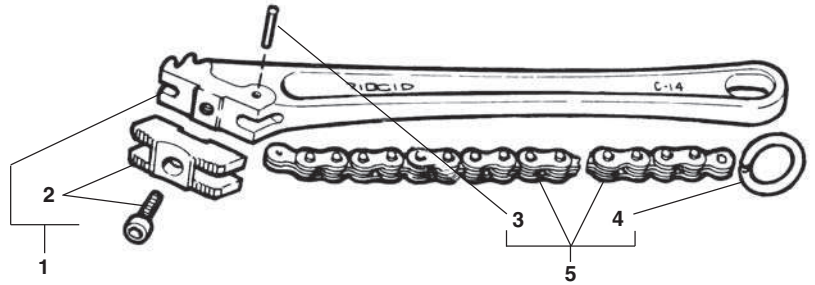
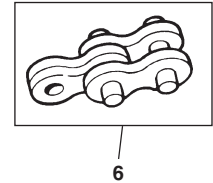


Heavy-Duty Chain Wrench

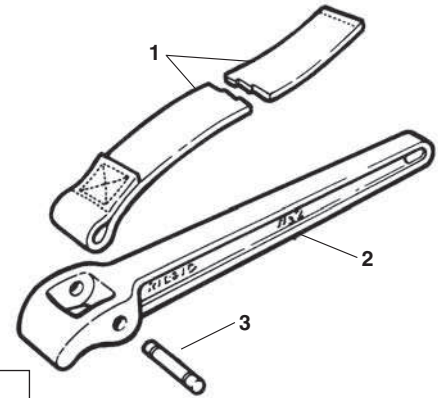


NOTE: Order parts by Catalog Number only. DO NOT order by Reference Number.

| | C14 Max. 2" | C18 Max. 2 1/2" | C24 Max. 3" | C36 Max. 4 1/2" |
|-----------------------------|--------------------|--------------------|--------------------|--------------------|
| Ref. No. Description | Catalog No. | Catalog No. | Catalog No. | Catalog No. |
| 1 Handle Assembly | 32540 | 32565 | 32585 | 32595 |
| 2 Jaw with Screw | 32550 | 32575 | 32590 | 32600 |
| 3 Pin | 32560 | 32580 | 32580 | 32610 |
| 4 Ring | 32555 | 32555 | 32555 | 32555 |
| 5 Chain Assembly | 32545 | 32570 | 32570 | 32605 |
| 6 Link | 68620 | 68625 | 68625 | 68630 |

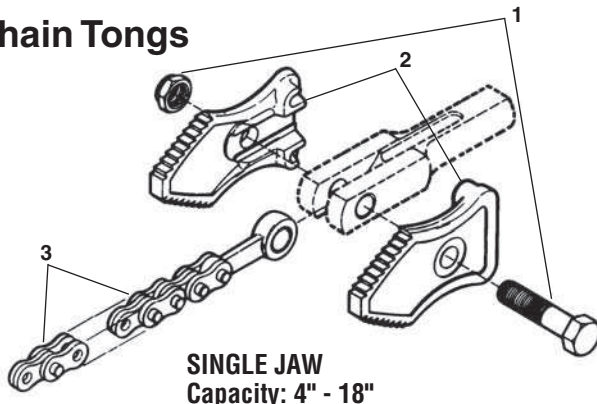


Strap Wrench

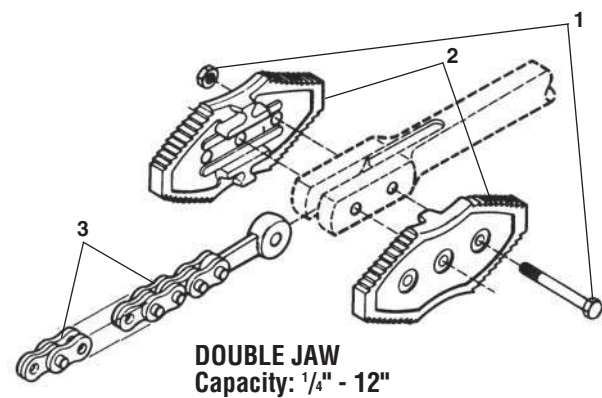


| | 1 1/8"-2" | 2 1/8"-2" | 2P 1/8"-2" | 5 1"-5" | 5P 1"-5" |
|-----------------------------|--------------------|--------------------|--------------------|--------------------|--------------------|
| Ref. No. Description | Catalog No. | Catalog No. | Catalog No. | Catalog No. | Catalog No. |
| 1 17" Strap | 31990 | 32015 | 32035 | — | — |
| 24" Strap | — | 32020 | — | — | — |
| 30" Strap | — | 32025 | — | 32050 | 32065 |
| 48" Strap | — | — | — | 32055 | — |
| 2 Handle | 32005 | 32040 | 32040 | 32075 | 32075 |
| 3 Pin | 32010 | 32045 | 32045 | 32080 | 32080 |

Chain Tongs



| Ref. No. | Description | 3215 |
|----------|-------------|-------|
| 1 | Nut & Bolt | 93020 |
| 2 | Jaws | 93015 |
| 3 | Chain | 93010 |



| Ref. No. | Description | 3229 | 3231 | 3233 | 3235 | 3237 |
|----------|-------------|-------|-------|-------|-------|-------|
| 1 | Nut & Bolt | 93035 | 93050 | 93050 | 93080 | 93095 |
| 2 | Jaws | 93030 | 93045 | 93060 | 93075 | 93090 |
| 3 | Chain | 93025 | 93040 | 93055 | 93070 | 93085 |