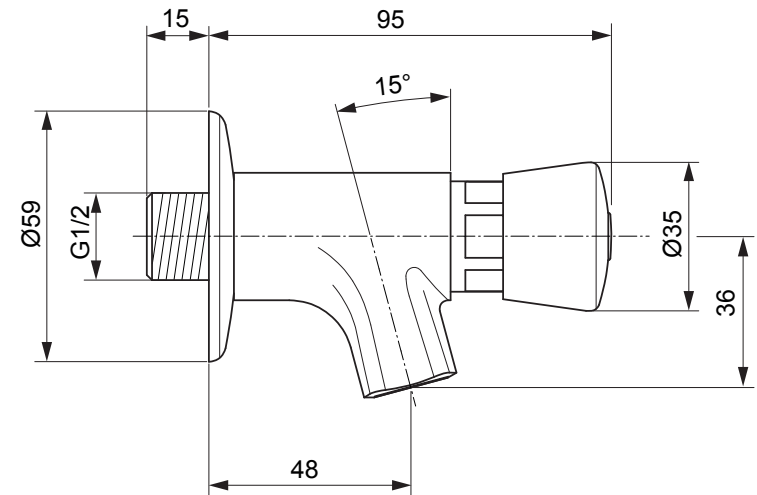
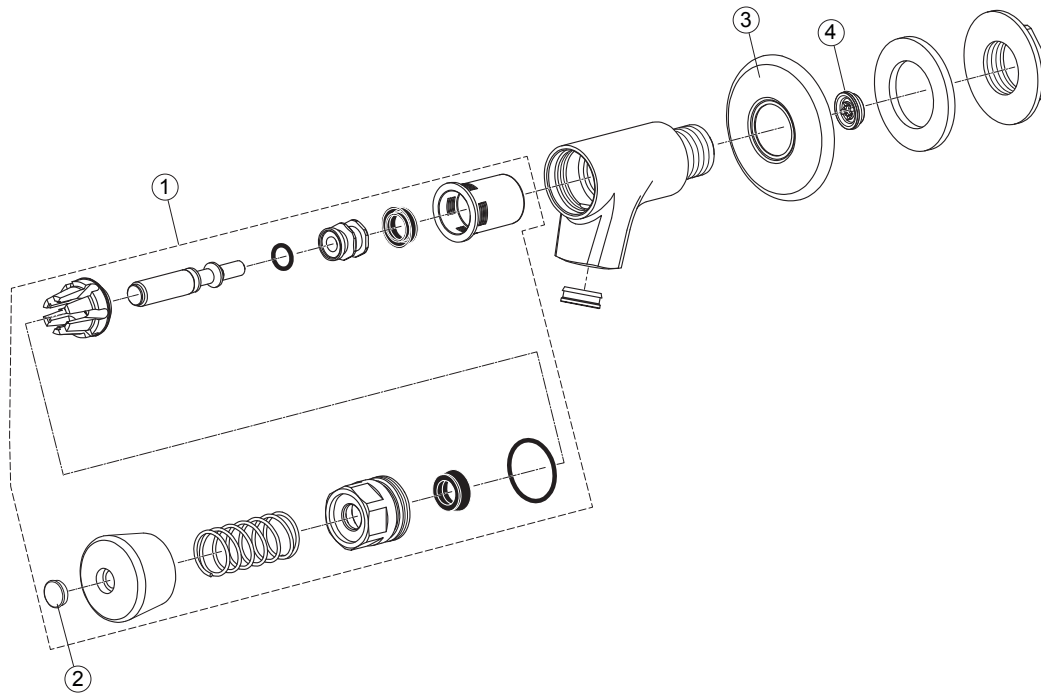


Ideal Standard

ALPHA SELF-CLOSING

A 1330..

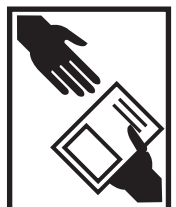
1119

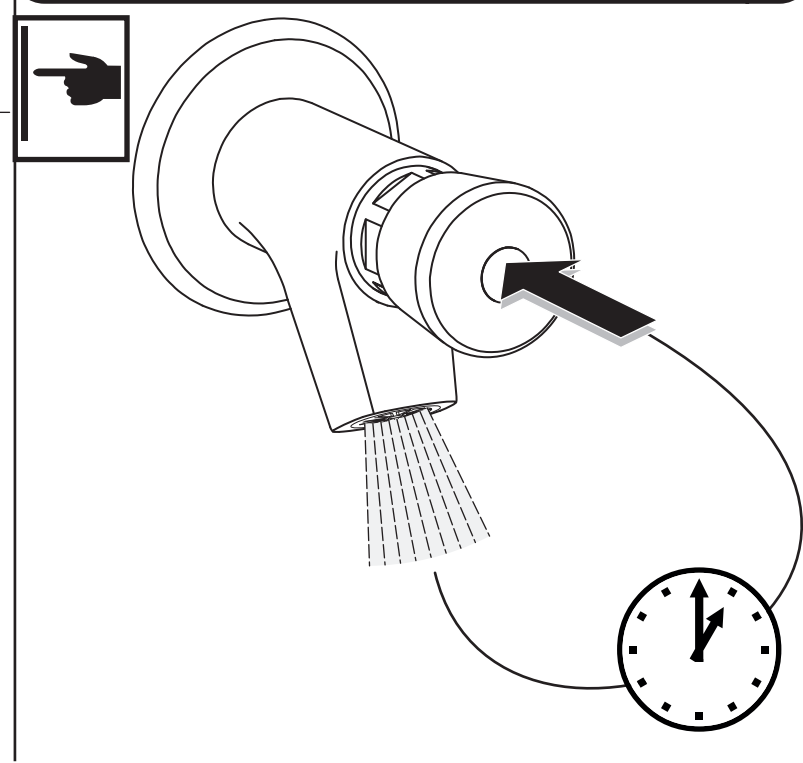
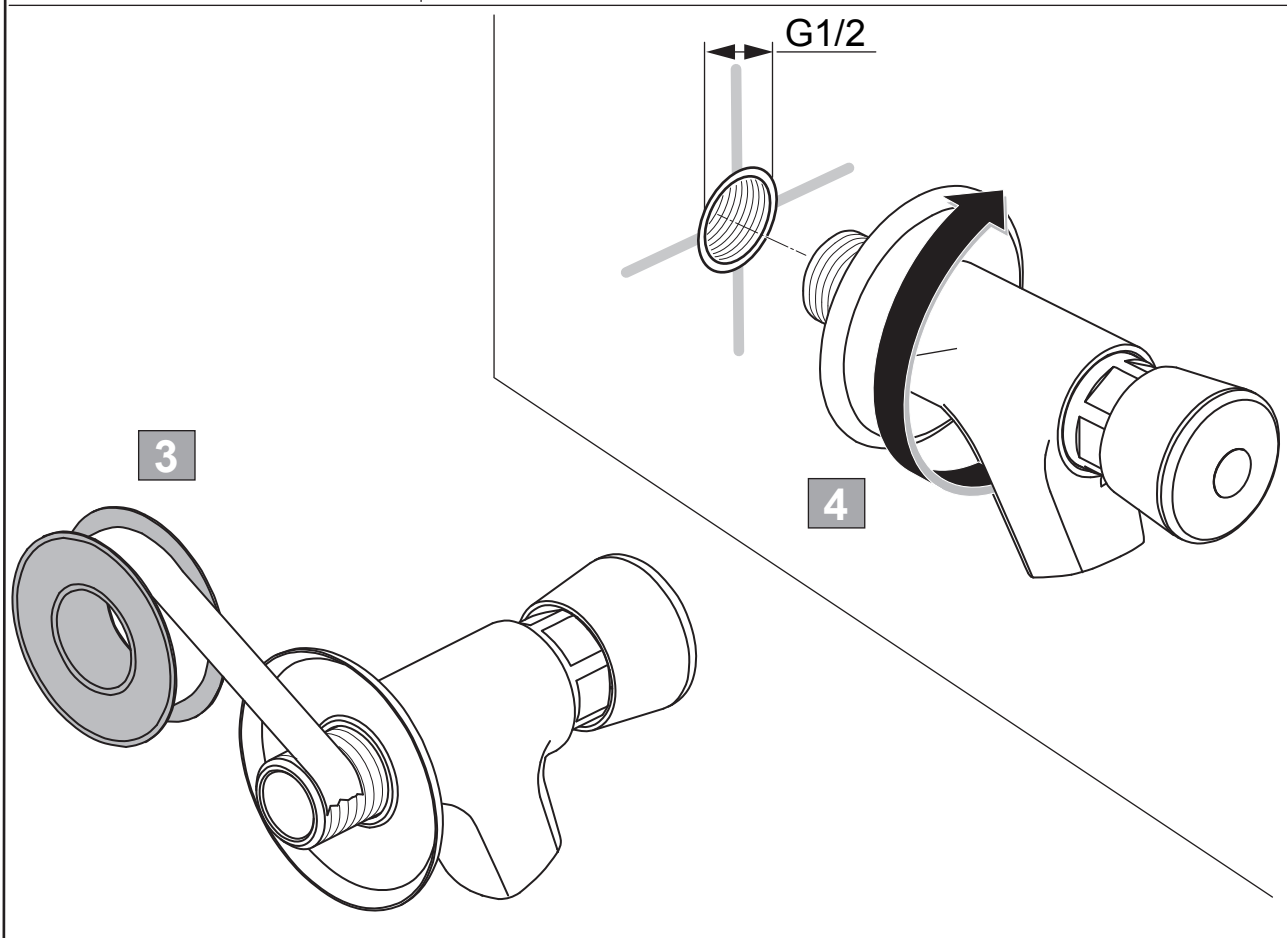
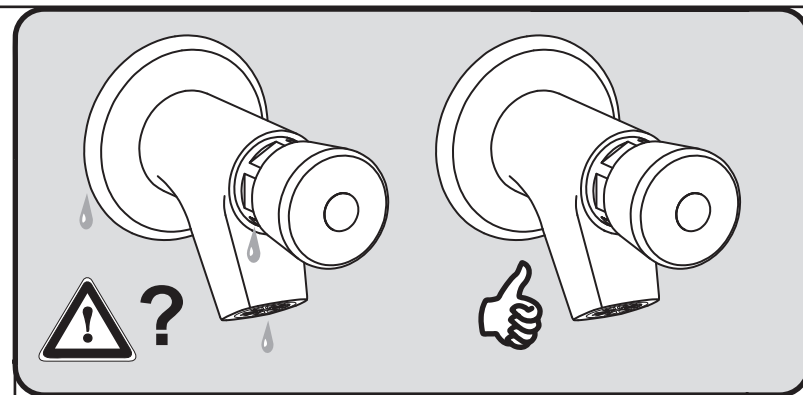
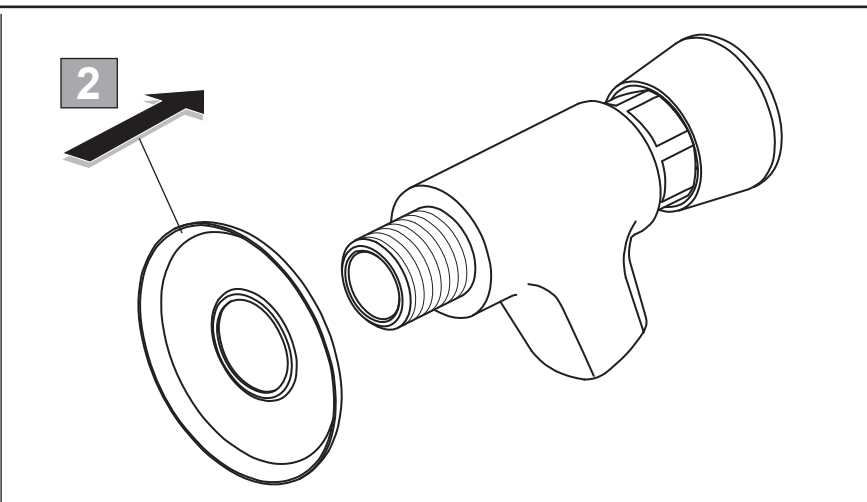
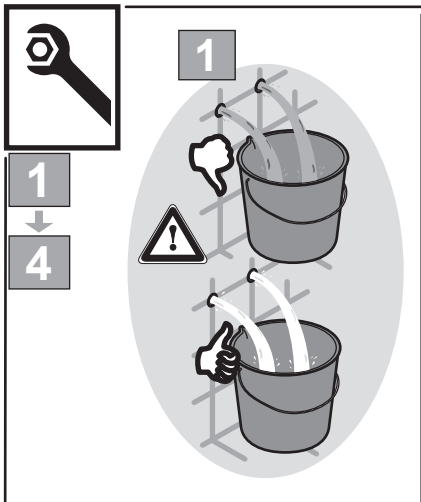





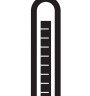

Pos.	Description	Part No.
1	Self-closing cartridge for basin	A 861 457 AA
2	Handle cap red and blue	A 861 458 NU
3	Escutcheon G1/2	A 861 462 AA
4	Flow limiter 3 l/min	A 861 459 NU

Ideal Standard International NV
Corporate Village - Gent Building
Da Vincilaan 2
1935 Zaventem
Belgium

www.idealstandardinternational.com





 P	bar	MIN. 0,5		MAX. 5	 Q (3 bar)
 T	°C		— MAX. 80 — MIN. 10		
					3